

## Packer milling and retrieving tool type URP-1

The packer milling and retrieving tool URP-1 is used to catch and retrieve packer-plug during fishing works in the well.

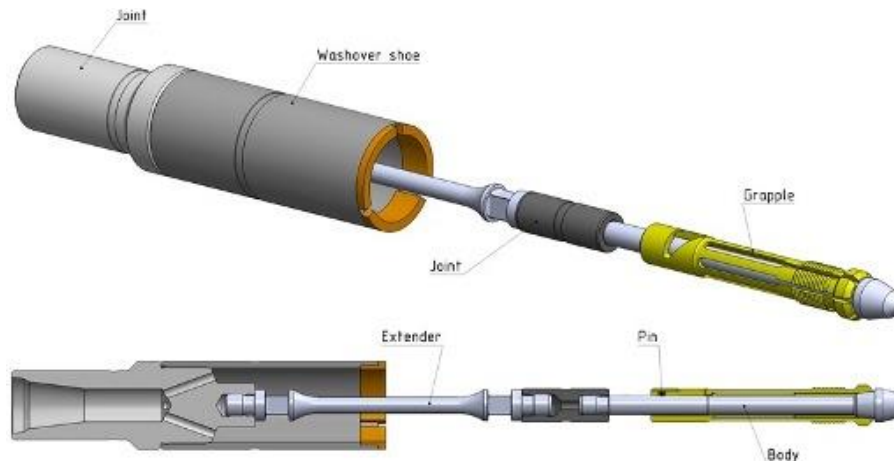


Fig. 1.

### 1. Setup and operation principle

The packer milling and retrieving tool (Fig. 1) consists of milling and gripping units. The milling unit consists of sub and washover shoe. The sub has thread for connecting to fishing string and thread at the bottom for connecting to extension. The sub is provided with watercourse for fluid flow.

The gripping unit is designed as a grapple catcher which consists of sub, body, pin and basket grapple. The catcher goes through the packer and comes out from bottom end. Cutting surface of the washover shoe mills out packer-plugs' slips, packer-plug moves down and is gripped by the catcher, then the assembly comes to the surface. To clean the tool from milled particles the junk basket can be set above.

### Technical parameters

Main parameters and sizes of packer milling and retrieving tool type URP-1

Standard size code of device for drilling out packer plugs	<b>URP-122</b>
Nominal diameter of production string, in	5 3/4
Connecting thread upper, API	2 7/8 Reg
Connecting thread lower	Sh-22
External diameter of milling funnel of washover mill, in	4.80
Internal diameter of milling funnel of washover mill, in	3.94
Length of leading part of Basket grapple, ft	3.70
Nominal diameter of Basket grapple, in, not more	1.89
Diameter of leading part of Basket grapple, in	2.20
Diameter of nose piece, in, not more	1.81
Length of pump rod (extender), ft	6.56
Length, ft	9.15
Weight, lb	126.3